
7694 Six-Port Valve Actuator Assembly

Description	HP Part No.	Qty
1 Motor, 6-port valve actuator	425-01 9-HSP	1
2 Bracket, motor 6-port valve	301 -1 23-HSP	1
3 PCB TB1 valve actuator sensor	41 5-301 -HSP	1
4 Terminal block	465-509-HSP	1
5 Disk, 6-port valve	301 -034-HSP	1
6 Wheel, lever CAM	301 -038-HSP	1
7 Screw, lever CAM	301 -035-HSP	1
8 Lever	301 -036-HSP	1
9 Joint, couple 6-port valve	301 -037-HSP	1
1 0 Bushing, lever	301 -089-HSP	1
Associated screws and standoffs		
A Screw, M3 X 1 6 socket head cap	051 5-1 424	3
B Spacer, nylon 1 0 X 4.5 X 4	301 -1 05-HSP	3
C Screw, M3 X 1 2 socket head cap	051 5-1 052	3
D Standoff, D7 X D3 X 2.5 PVC	300-41 5-HSP	4
E Nut, M3 X 0.5	0535-0004	2
F Screw, M4 X 1 2 socket head	051 5-1 1 96	1

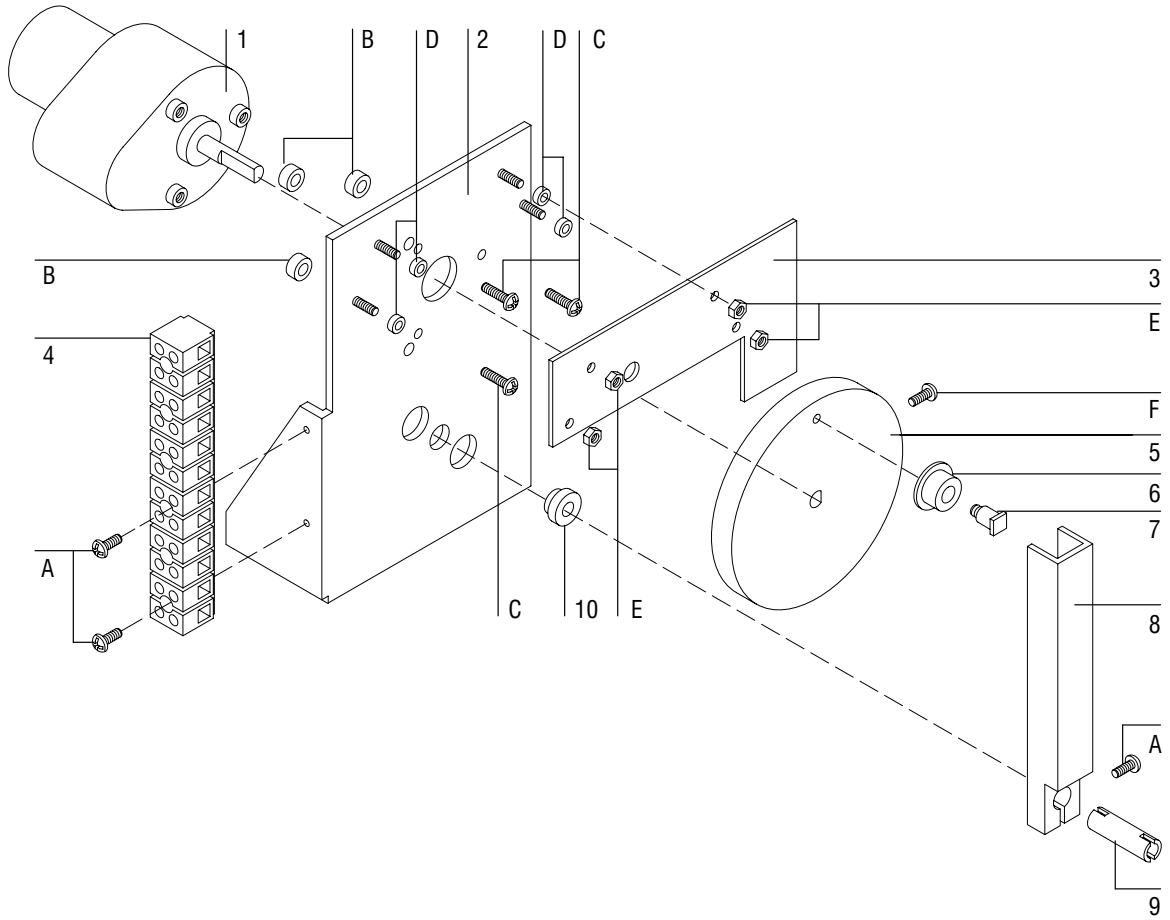


Figure 5-7. Six-Port Valve Actuator Assembly